



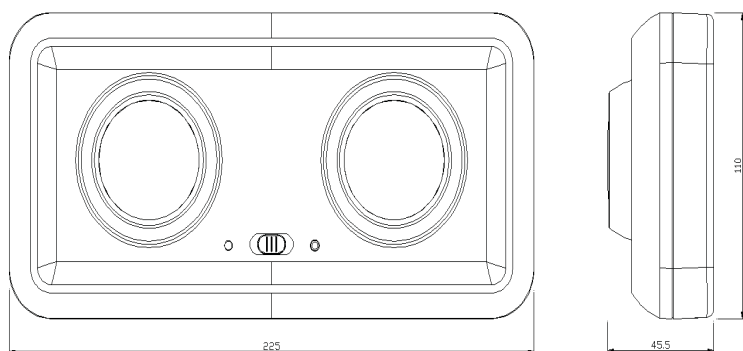
### Picture



### Features

- CE/CB Approved Emergency Light Model DT series
- Injection-molded plastic ABS housing
- Easy installation and maintenance
- Energy-saving LEDs with long operating lifespan of up to 100,000 hours
- Over-charged and over-discharged battery protections
- Test button to test emergency lighting set in normal operating
- LED indicator to monitor battery operating
- Lamp angle adjustment: Adjust the head to fit the building structure
- Emergency duration: 3 hours
- Maximum 48 hours for full recharge t

### Dimension (mm)



### Specifications

Items	Units	Parameter
Input Voltage	V	AC100-240V
Source Type	-	SMD LED 24PCS*0.2W (Total 4.8W)
Luminous Flux	lm	400
Brightness	cd/m2	>15
Beam Angle	?	140
Body Materials	-	ABS
Life Time	Hr	50000
Work Temperature	°C	0~50
Emergency Time	Hr	3
Consumption Power	W	12
Battery	-	3.7V2500mAh Lithium battery
Emergency Conversion Time	s	< 1
Charge time	Hr	48
Net Weight/pc (with battery)	g	330
One Pieces Packing	mm	230X49X120

Product Name	EMERGENCY LED LIGHTS DT Series
Model No.	DT-222
Main Specification	24x0.2W SMD LED ABS Housing 400lm
Product Size	225x110x45.5
MOQ	500PCS
Lead Time	35 days
Sample Delivery Time	3~10 days

Remarks:

### Packing Information

Packing:	White box			
Carton:	L(cm)	W(cm)	H(cm)	
Carton Size:	47.4	27	25.7	
Carton CBM:	0.033M3			
Q'TY/INNER BOX:	1PCS			
Q'TY/CTN:	20PCS			
Gross Weight:	9.3KGS			
Net Weight:	6.6KGS			
Container Loading	1*20'	1*40'	1*40' HQ	
Q'TY(PCS):				



TEL: +86-595-22972068

MOBILE: +86 13599101668

MAIL: WILLIAM@DZMING.COM

OFFICE: NO.809 Fengze Mall Integrity Building ,QuanZhou City ,FuJian,China.

FACTORY:Block 1-B,Standard Factory Building,Huaqiao Economic Development Zone,Luojiang,Quanzhou City,Fujian ,China.

[www.dzming.com](http://www.dzming.com)