



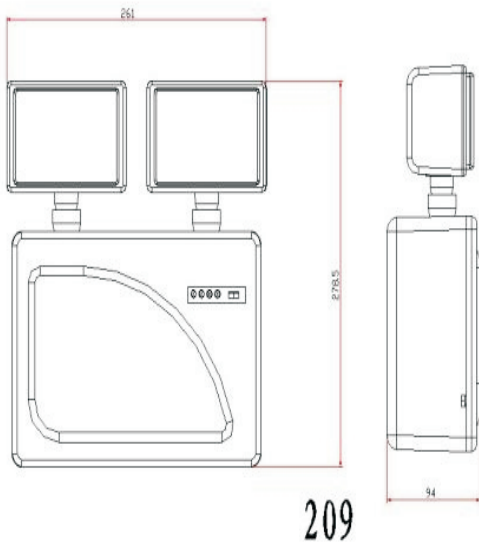
Picture



Features

- CE/CB Approved Emergency Light Model DT series
- Injection-molded plastic ABS housing
- Easy installation and maintenance
- Energy-saving LEDs with long operating lifespan of up to 100,000 hours
- Over-charged and over-discharged battery protections
- Test button to test emergency lighting set in normal operating
- LED indicator to monitor battery operating
- Lamp angle adjustment: Adjust the head to fit the building structure
- Emergency duration: 3 hours
- Maximum 48 hours for full recharge t

Dimension (mm)



Specifications

Items	Units	Parameter
Input Voltage	V	AC110/220V
Source Type	-	SMD LED 56PCS*0.5W (Total 28W)
Luminous Flux	lm	3000
Brightness	cd/m2	>15
Beam Angle	?	140
Body Materials	-	ABS
Life Time	Hr	50000
Work Temperature	°C	0~50
Emergency Time	Hr	3
Consumption Power	W	12
Battery	-	Lead-Acid 12V4.5A
Emergency Convension Time	s	< 1
Charge time	Hr	48
Net Weight/pc (with battery)	g	2380
One Pieces Packing	mm	267x284x99

Product Name	EMERGENCY LED LIGHTS DT Series
Model No.	DT-209
Main Specification	56x0.5W SMD LED ABS Housing 3000lm
Product Size	209x94x278.5
MOQ	500PCS
Lead Time	35 days
Sample Delivery Time	3~10 days
Remarks:	

Packing Information

Packing:	White box			
Carton:	L(cm)	W(cm)	H(cm)	
Carton Size:	52	28	30.3	
Carton CBM:	0.044M3			
Q'TY/INNER BOX:	1PCS			
Q'TY/CTN:	5PCS			
Gross Weight:	12.75KGS			
Net Weight:	13.41KGS			
Container Loading	1*20'	1*40'	1*40' HQ	
Q'TY(PCS):				

