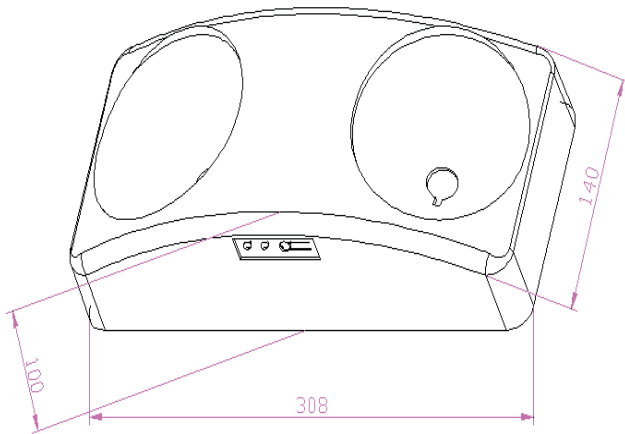




Picture



Dimension (mm)



Features

- CE/CB Approved Emergency Light Model DT series
- Injection-molded plastic ABS housing
- Easy installation and maintenance
- Energy-saving LEDs with long operating lifespan of up to 100,000 hours
- Over-charged and over-discharged battery protections
- Test button to test emergency lighting set in normal operating
- LED indicator to monitor battery operating
- Emergency duration: 6 hours
- Maximum 48 hours for full recharge t

Specifications

Items	Units	Parameter
Input Voltage	V	AC100-240V
Source Type	-	SMD LED 44pcs*0.07
Luminous Flux	lm	220
Brightness	cd/m2	>15
Beam Angle	?	140
Body Materials	-	ABS
Life Time	Hr	50000
Work Temperature	°C	0~50
Emergency Time	Hr	6
Consumption Power	W	4
Battery	-	Lead-Acid 4V4A
Emergency Convension Time	s	< 1
Charge time	Hr	48
Net Weight/pc (with battery)	g	1150
One Pieces Packing	mm	313x105x145
		545x330x310(10pcs/ctn)

Product Name	EMERGENCY LED LIGHTS DT Series
Model No.	DT-522
Main Specification	44x0.07W SMD LED ABS Housing 220lm
Product Size	308x100x140
MOQ	500PCS
Lead Time	35 days
Sample Delivery Time	3~10 days
Remarks:	

Packing Information

Packing:	White box				
Carton:	L(cm)		W(cm)		H(cm)
Carton Size:	48.6		30.6		21.1
Carton CBM:	0.059M3				
Q'TY/INNER BOX:	1PCS				
Q'TY/CTN:	10PCS				
Gross Weight:	13KGS				
Net Weight:	14KGS				
Container Loading	1*20'		1*40'		1*40' HQ
Q'TY(PCS):					

