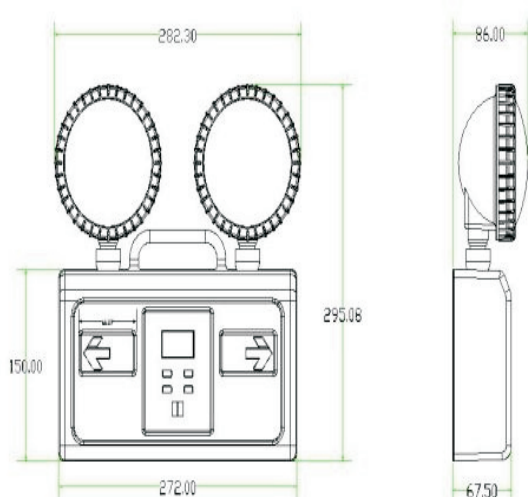




Picture



Dimension (mm)



Features

- CE/CB Approved Emergency Light Model DT series
- Injection-molded plastic ABS housing
- Easy installation and maintenance
- Energy-saving LEDs with long operating lifespan of up to 100,000 hours
- Over-charged and over-discharged battery protections
- Test button to test emergency lighting set in normal operating
- LED indicator to monitor battery operating
- Lamp angle adjustment: Adjust the head to fit the building structure
- Emergency duration: 6 hours
- Maximum 48 hours for full recharge t

Specifications

Items	Units	Parameter
Input Voltage	V	AC100-240V
Source Type	-	SMD LED 12pcs*0.2
Luminous Flux	lm	240
Brightness	cd/m2	>15
Beam Angle	?	140
Body Materials	-	ABS
Life Time	Hr	50000
Work Temperature	°C	0~50
Emergency Time	Hr	6
Consumption Power	W	4
Battery	-	Lead-Acid 4V3A
Emergency Convension Time	s	< 1
Charge time	Hr	48
Net Weight/pc (with battery)	g	1400
One Pieces Packing	mm	287*300*91

Packing Information

Packing:	White box			
Carton:	L(cm)	W(cm)	H(cm)	
Carton Size:	48.6	34.3	21.1	
Carton CBM:	0.0352M3			
Q'TY/INNER BOX:	1PCS			
Q'TY/CTN:	5PCS			
Gross Weight:	7.73KGS			
Net Weight:	8.23KGS			
Container Loading	1*20'	1*40'	1*40' HQ	
Q'TY(PCS):				

Product Name	EMERGENCY LED LIGHTS DT Series
Model No.	DT-207
Main Specification	12x0.2W SMD LED ABS Housing 240lm
Product Size	272x67.5x295
MOQ	500PCS
Lead Time	35 days
Sample Delivery Time	3~10 days
Remarks:	

